

WIELAND ELECTRIC

# ALL AT A **GLANCE**

Company, solutions + products at a glance.

# HELLO WIELAND ELECTRIC

**Tradition and innovation - Wieland is representing the synergy of these two guiding principles for more than 100 years.**

At Wieland Electric, we are proud to be the world market leader in electrical connections, and have been focusing on safe and innovative technologies since our founding. The beginnings of our success lie in the legendary Wieland Clamp, the first-ever safe electrical connector. Since then, innovation has pushed us to develop safer and more efficient ways to electrify the world.

Expanding from a component-only manufacturer, we are now one of the leading suppliers of innovative, future-oriented, and complete electrical solutions. We divide our focus into two main areas, Building and Industry. Our Building Solutions focus on decentralized power distribution and pluggable connections in all kinds of architectures and infrastructures. From in-store displays and lighting to hospitals and airports, and any structure in between – you build it, we power it! Our Industry Solutions center around functional safety for machines, industrial networking (IIoT and VPN), and power distribution. At Wieland, we keep your productivity going in mechanical engineering, wind power, material handling, thermo-processing, HVAC, and many other industries.

We are at our customers' side in every step of the project, right from the start. Our experts offer consulting, on-site services, and technical support. We see ourselves as service providers, trainers and subject-matter experts.



**1910**

Founded in  
Bamberg



**1600+**

Employees  
worldwide



**5**

Production  
sites



**70+**

Countries  
worldwide

# OUR **SECTOR KNOWLEDGE**

---

We have developed special industry knowledge in a diverse of specialized fields.  
This forms the basis of our successful solutions.



**Building  
installation**



**Lighting  
technology**



**Heating, Ventilation,  
Air Conditioning**



**Machine building  
and plant manufacturing**

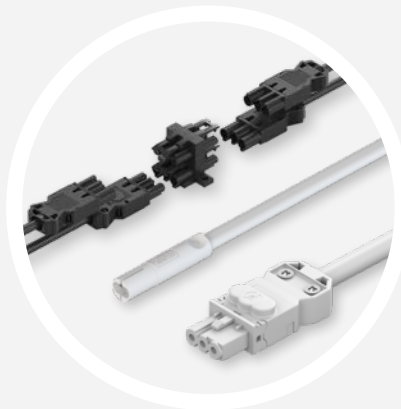


**Renewable energy**



**Intralogistics**

# OUR SOLUTIONS + PRODUCTS



## Electrical installation in low protection classes

### gesis®

**Comprehensive plug & play installation plug-in connector system.**

- 70 % time saving and 30 % cost saving due to pluggability
- Flexibly extendable thanks to pre-assembled cables
- Safety with color and mechanical coding

Applications:   



## Energy and data bus lines in buildings

### gesis® NRG

**Flat cable for energy distribution and lighting control.**

- No boring, stripping or wiring of the cables necessary
- 30 % lower installation costs
- Penetration contacting for continuous contact quality

Applications:   



## Smart Building installation



### gesis® ELECTRONIC

**Decentralized room automation made modular, compact and pluggable.**

- Easy planning – streamlined structures
- Flexible room configuration
- Fits into any installation space (wall, floor, ceiling)
- Larger useful area thanks to smaller plant rooms

Applications:   



## System distribution boxes

### gesis® RAN

**Diverse range of applications to suit your requirements - from the smallest distributor to smart room automation, load and measurement distributors through to distributors in various degrees of protection up to IP69.**

- Integration of any electronics into the pluggable electrical installation
- Individual sizes with various options for wire connections
- For fixed and temporary installation in dry and humid environment

Applications:   



## RST® connector system with high IP protection

### RST®

#### Highest reliability with IP66, IP68 (3 m; 2 h) and IP69 protection

- Modular system of connectors, device connections, distributors and cable assemblies – ideal for robust applications
- Mechanical + colored coding for safe separation of circuits and applications

Applications: 



## Power bus system and lighting solutions

### podis®

#### Perfect infrastructure in industrial environments

- Intuitive, decentralized and cost-saving in every project phase
- Standards-compliant workplace and emergency lighting solution for maintenance-free operation
- Permanently high contact quality, durable products

Applications: 



## Reliable power supplies

### wipos

#### Efficient and reliable power supplies

- Consistently high system availability - even during voltage drops
- Reliable status query for preventive measures - from any location at any time
- Comprehensive diagnostic capabilities

Applications: 



## Industrial network communication

### wienet

#### Smooth data exchange from the field to the control and process level

- Industrial communication solutions for the control, monitoring and remote maintenance of machines and plants
- Secure VPN complete solution for worldwide remote access
- Reliable data transfer in the network

Applications: 





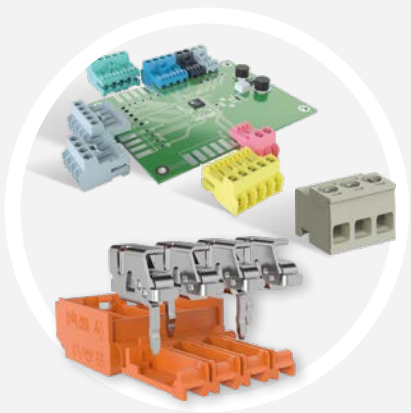
## Safety technology in machine building

**samos<sup>®</sup> PRO, sensor PRO, safe RELAY**

**User-friendly safety solutions for machines and plants**

- Complete safety solution: hardware, software and services from a single source
- Diverse product portfolio from simple relays to powerful control systems including sensors and accessories
- Support from safety experts every step of the way with training and consulting

Applications:



## PCB terminals and plug connectors

**wiecon<sup>®</sup>**

**PCB terminal blocks and connectors exactly as required**

- No Flame in accordance with DIN EN/IEC 60335-1
- RoHS-compliant in accordance with the EU Directive
- Tape-on-Reel – packed in the belt

Applications:



## Modular + robust industrial connectors

**revos**

**industrial connectors for safe distribution of power and signals.**

- Specially designed for use in particularly harsh environments
- Tin, silver, or gold contacts for optimum contact quality
- Maximum flexibility with connections and applications

Applications:



## Space-saving terminal blocks

**fasis + selos**

**terminal blocks with screw, tension spring, or smart push-in connection offer the optimal solution for industrial applications in confined spaces.**

- Vibration-safe and maintenance-free terminal
- Saves time and reduces wiring and inventory costs
- Online terminal block configurator

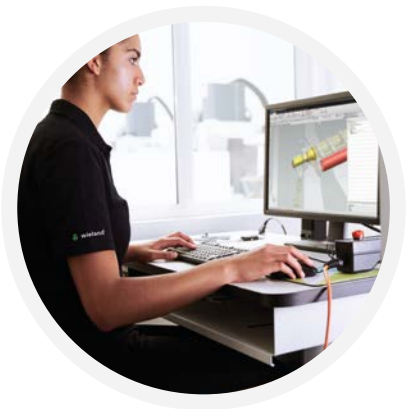
Applications:



# OUR SERVICE + SUPPORT

---

**We are your experts for customized solutions.**



## Customized solutions

---

**We create solutions tailored to your applications.**

- Prototyping and customized solutions
- High production intensity
- Pre-assembly services
- Construction site logistics and order picking on request



## Software solutions

---

**Our software solutions enhance your performance**

- gesis® PLAN planning tool for electrical installations with integrated check of the power load on cables
- samos® PLAN 6 programming software: flexible, intuitive, license-free.
- wieplan CLICK2BUY online terminal block configurator with express delivery
- podis® PLAN 6.0 project planning tool for the power engineering design of your specific electrotechnical configuration.



## Instruction + Training

---

**For the machine safety**

- Machinery Directive – Legal fundamentals of the Machinery Directive, the Product Safety Act and the Industrial Health and Safety Ordinance
- Comprehensive support on the way to a CE-compliant machine



# wieland

## HEADQUARTERS

Wieland Electric GmbH  
Brennerstraße 10 – 14  
96052 Bamberg · Germany

---

Phone +49 951 9324-0  
Fax +49 951 9324-198  
info@wieland-electric.com



0902.1 S 11/21

Represented in over 70 countries worldwide:

[www.wieland-electric.com](http://www.wieland-electric.com)