

SPECIFICATIONS:

- Meets the requirements of the standard PN-EN 124-6
- Class: A15
- Opening diameter: Ø 590 mm
- Total diameter: Ø 750 mm
- Total height: H 70 mm
- Load: 1,5 t
- Lid securing system: 2 bolts
- Weight: 12 kg.
- Material: PE plastic

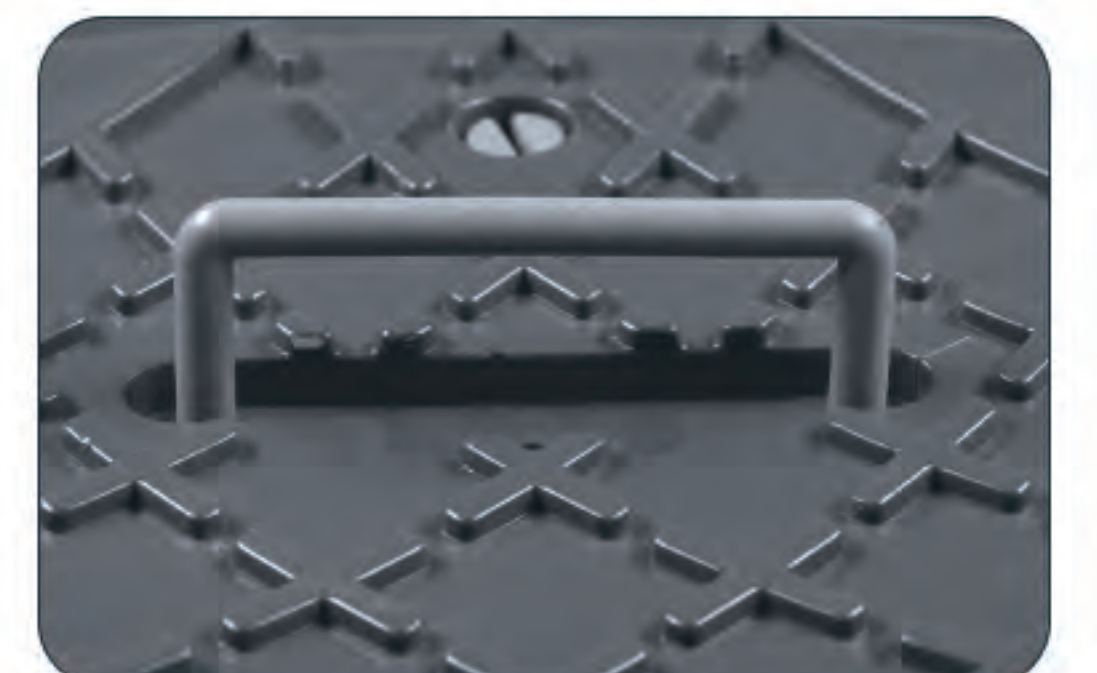
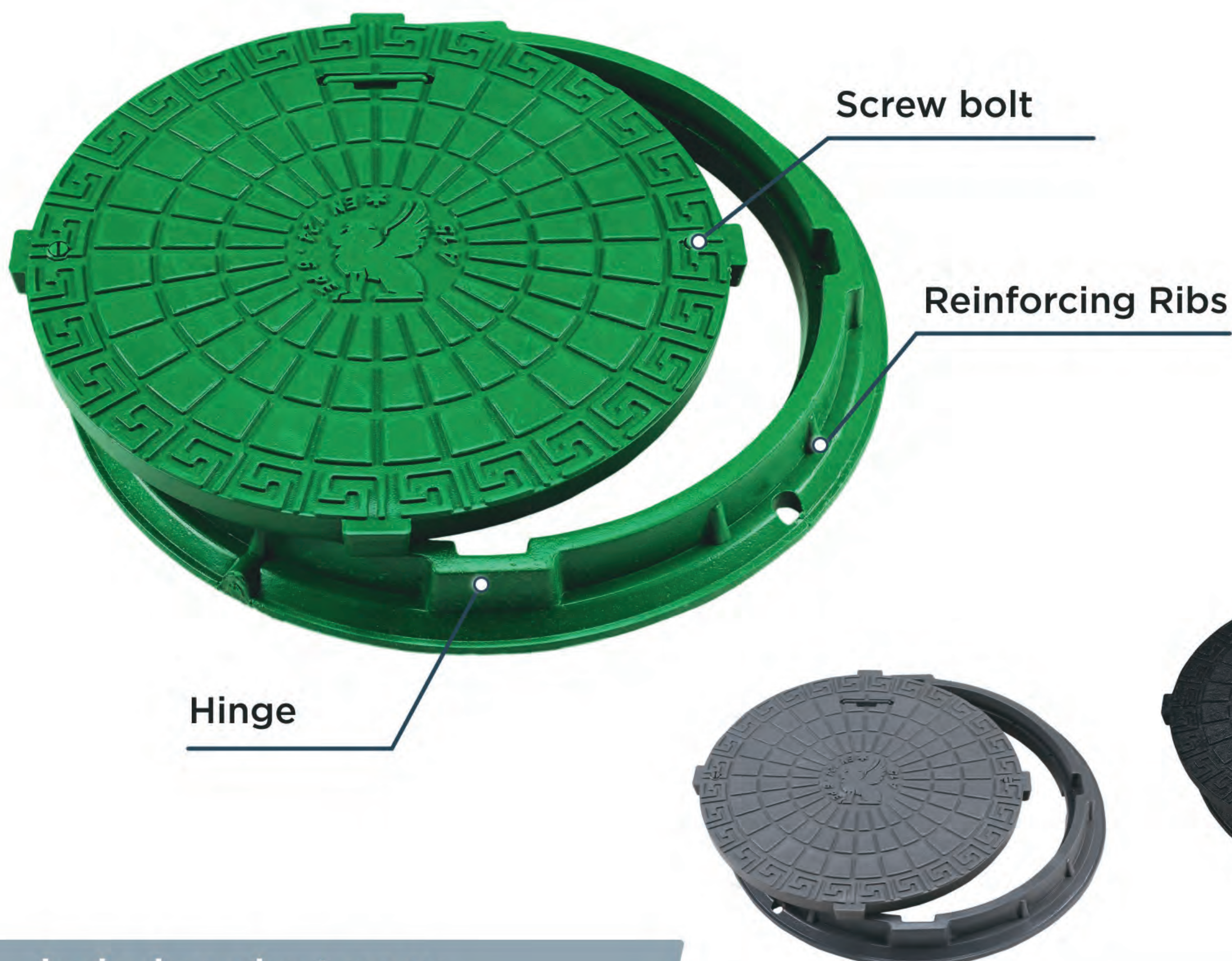


KLASA A15

Art. A15B6075C1 / Art. A15B6075Z1 / Art. A15B6075S1

APPLICATION:

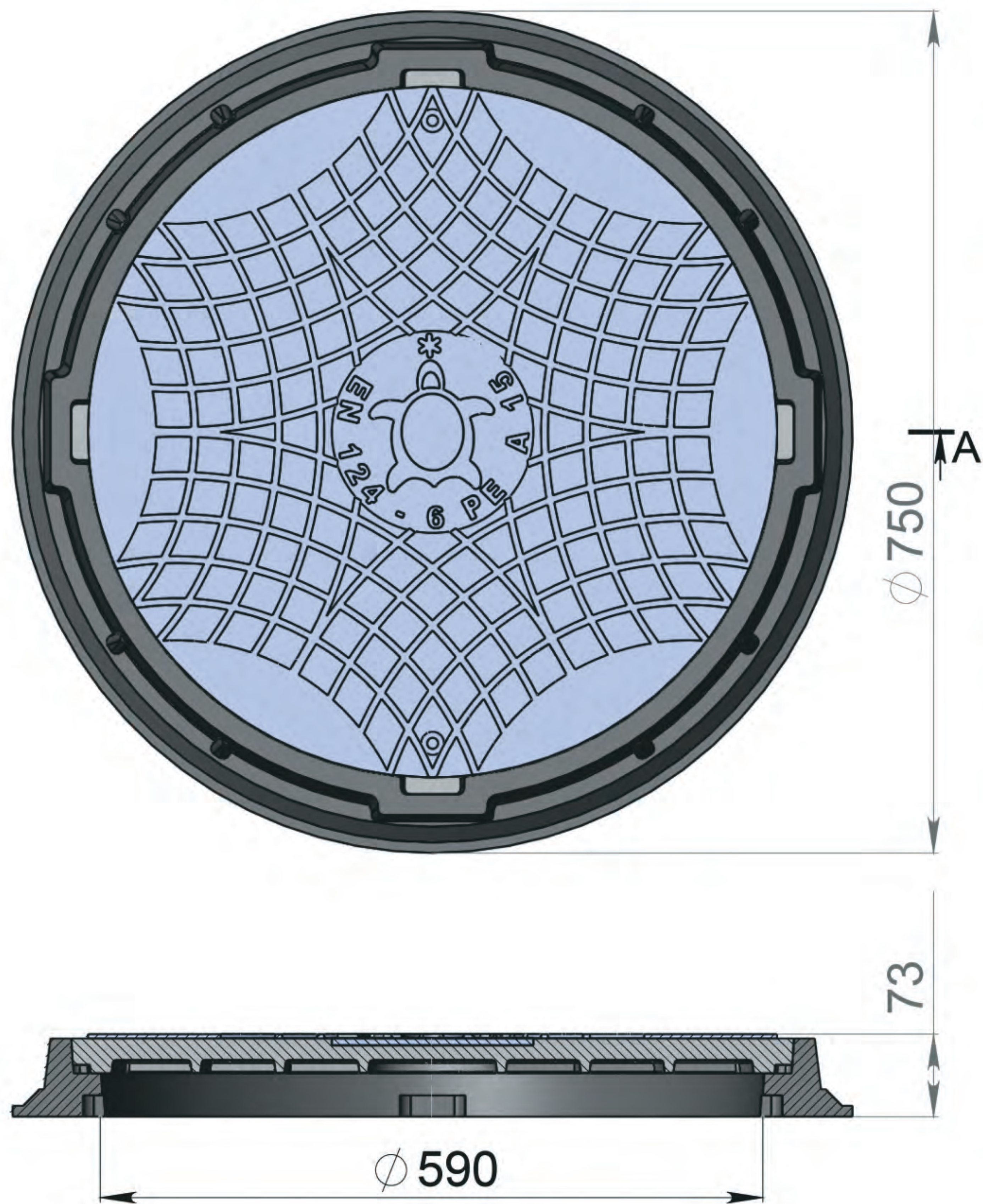
- Sewage inspections on coolers, bicycle paths and green areas.
- Communication inspection wells, gas pipeline networks, sewage filtration systems, irrigation systems, absorbent wells, concrete septic tanks





BABYLON
PLAST

Manhole Cover Eko™ Ø600/750 A15



SPECIFICATIONS:

- Meets the requirements of the standard PN-EN 124-6
- Class: A15
- Opening diameter: Ø 590 mm
- Total diameter: Ø 750 mm
- Total height: H 70 mm
- Load: 1,5 t
- Lid securing system: 2 bolts
- Weight: 12 kg.
- Material: PE plastic

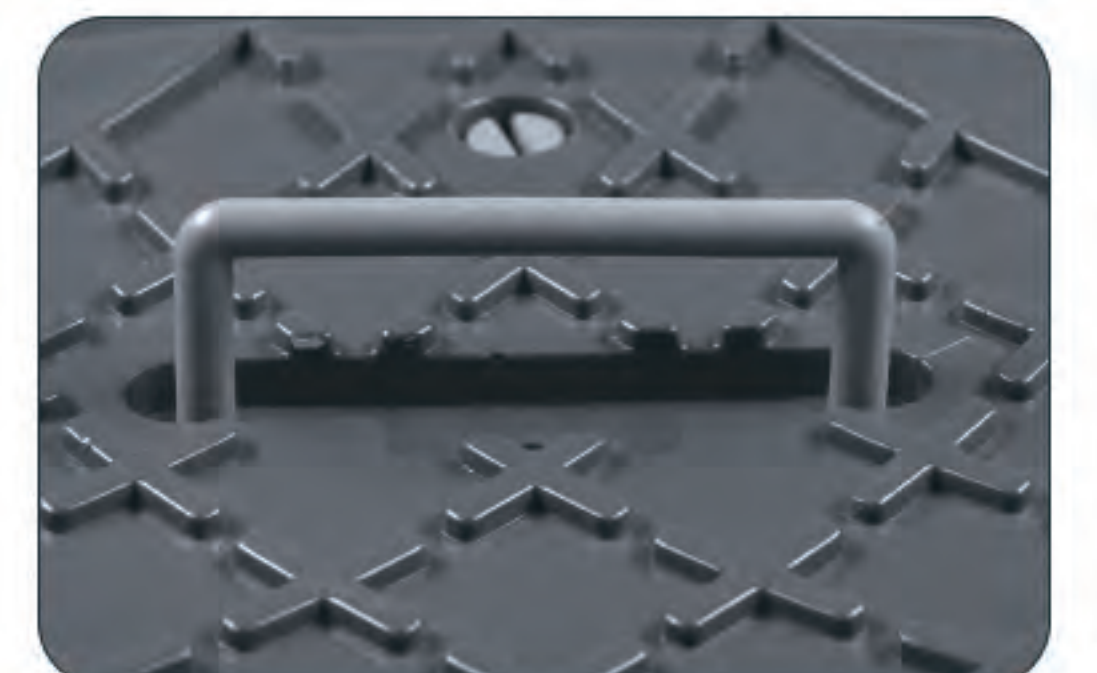
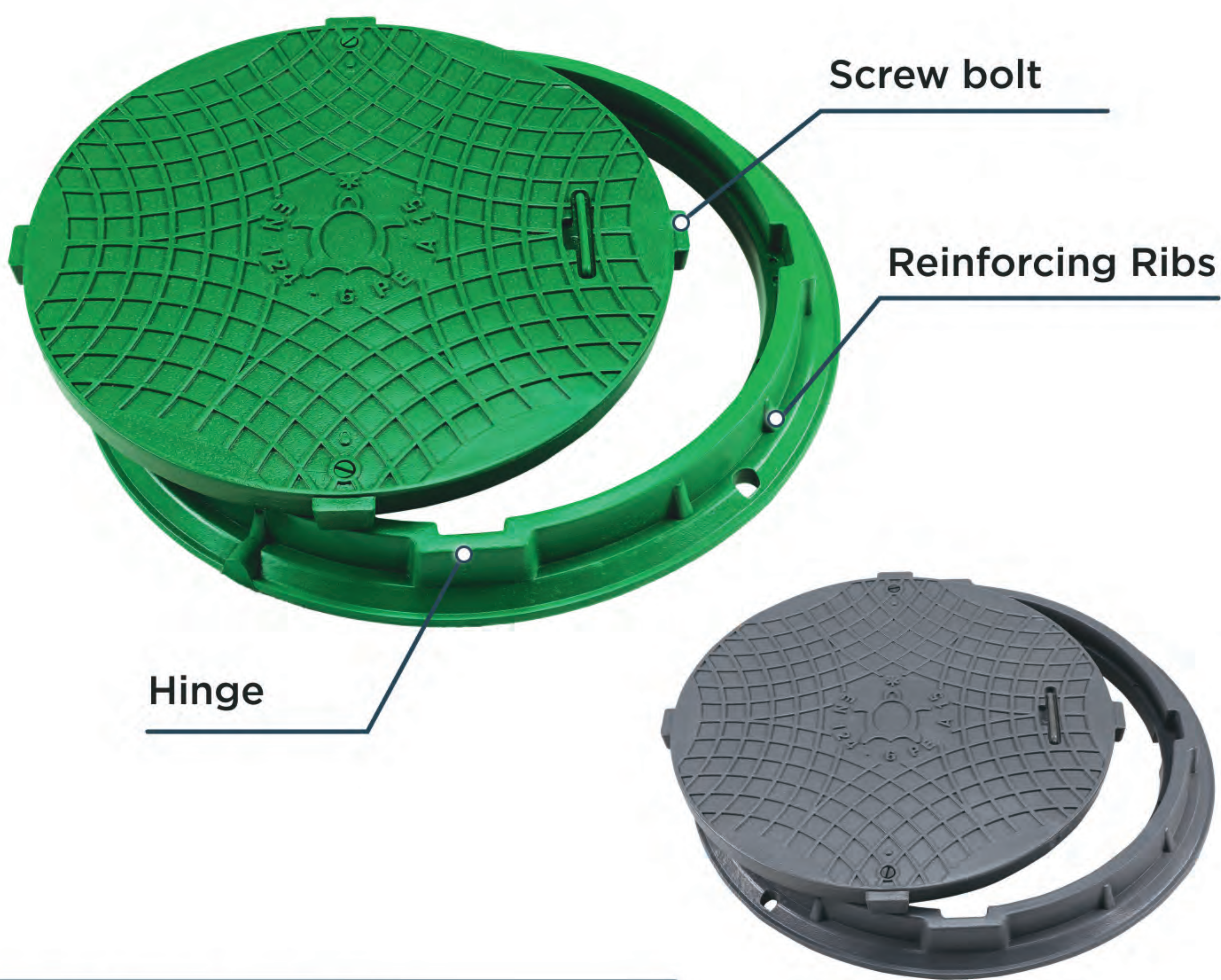


KLASA A15

Art. A15B6075C1 / Art. A15B6075Z1 / Art. A15B6075S1

APPLICATION:

- Sewage inspections on coolers, bicycle paths and green areas.
- Communication inspection wells, gas pipeline networks, sewage filtration systems, irrigation systems, absorbent wells, concrete septic tanks.



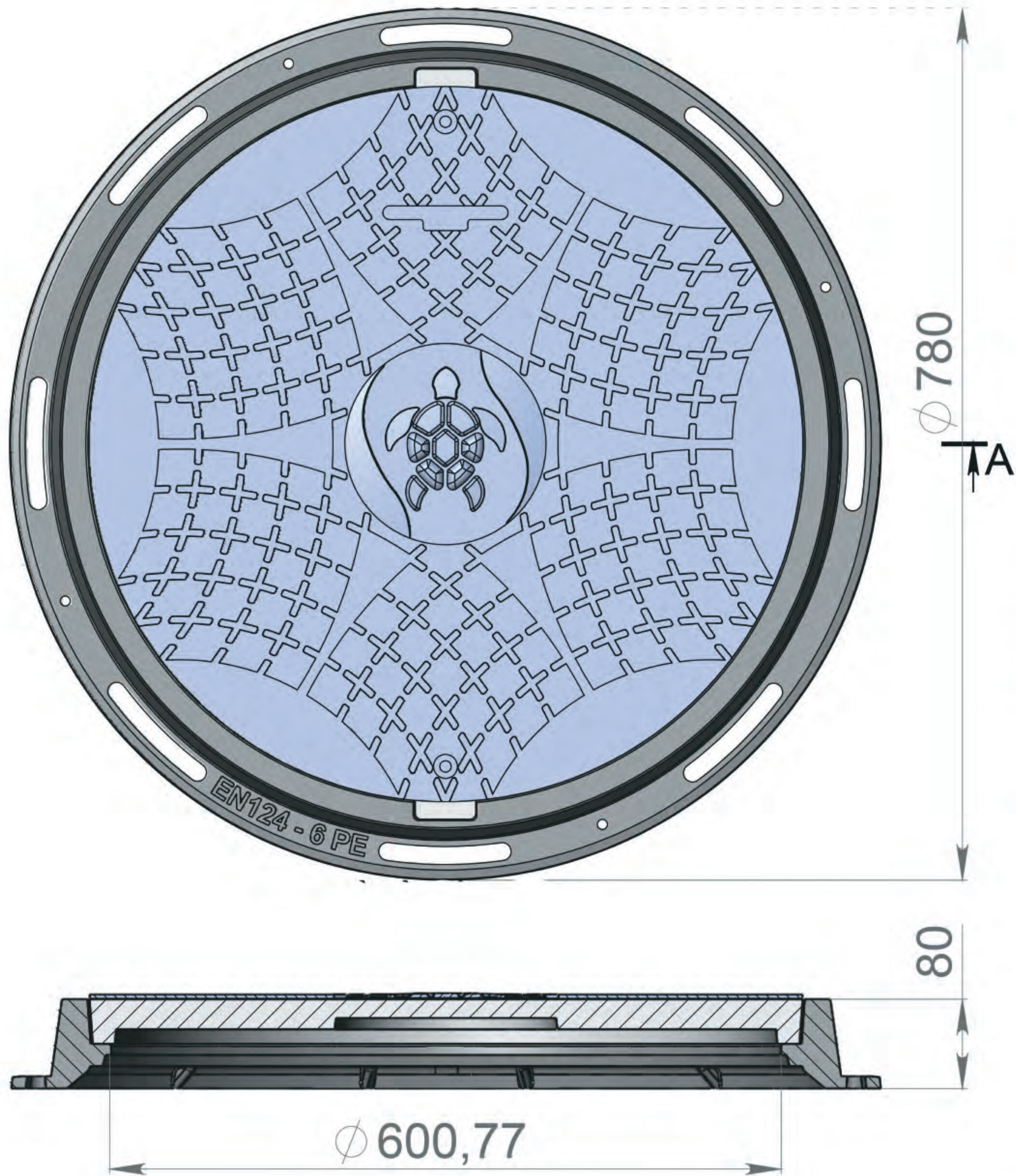
babylonplast.com

RP Trade Group SP Z.o.o
Zamknieta str. 10/1.5
30-554 Krakow, Poland

office@babylonplast.com
sale@babylonplast.com

+48 516 346 454
+48 513 446 487





SPECIFICATIONS:

- Meets the requirements of the standard PN-EN 124-6
- Class: A15
- Opening diameter: Ø 600 mm
- Total diameter: Ø 780 mm
- Total height: H 80 mm
- Load: 1,5 t
- Lid securing system: 2 bolts
- Weight: 13 kg.
- Material: PE plastic

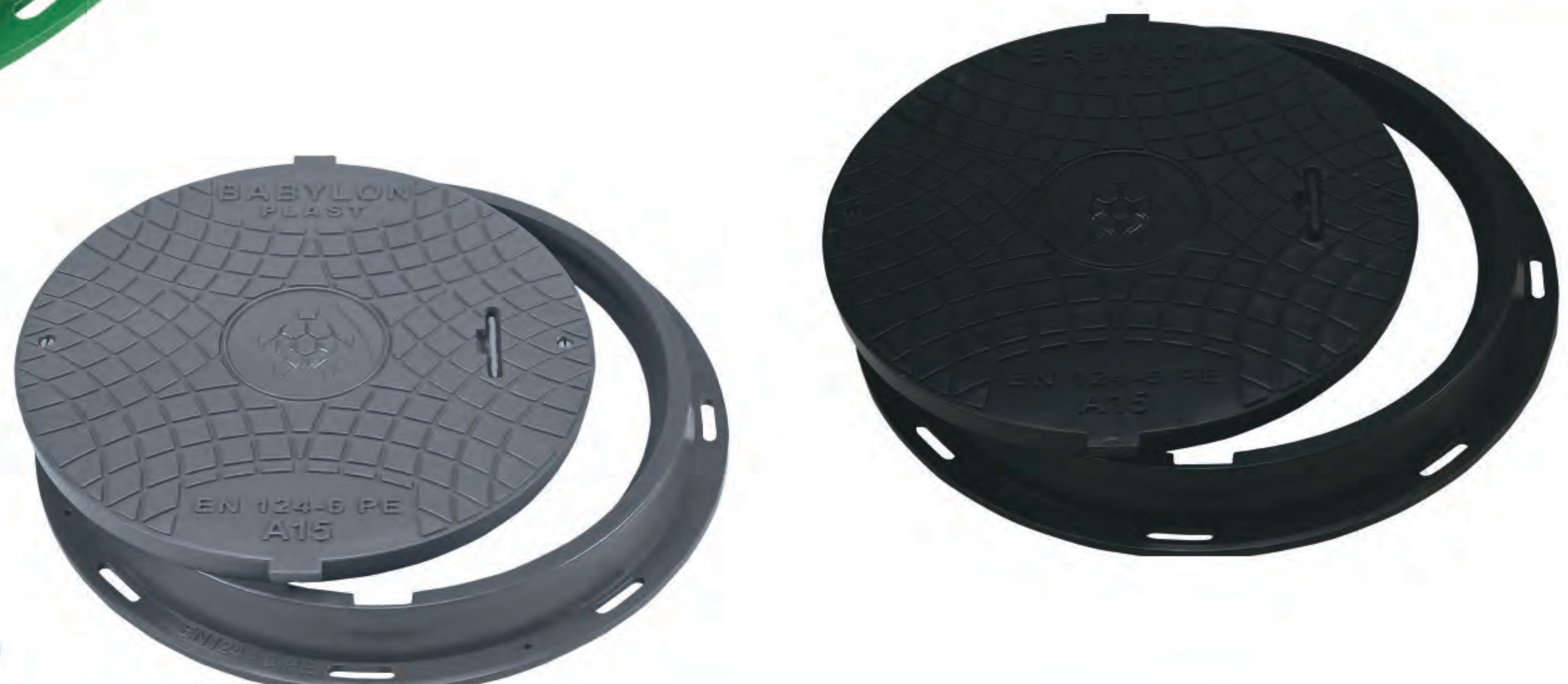


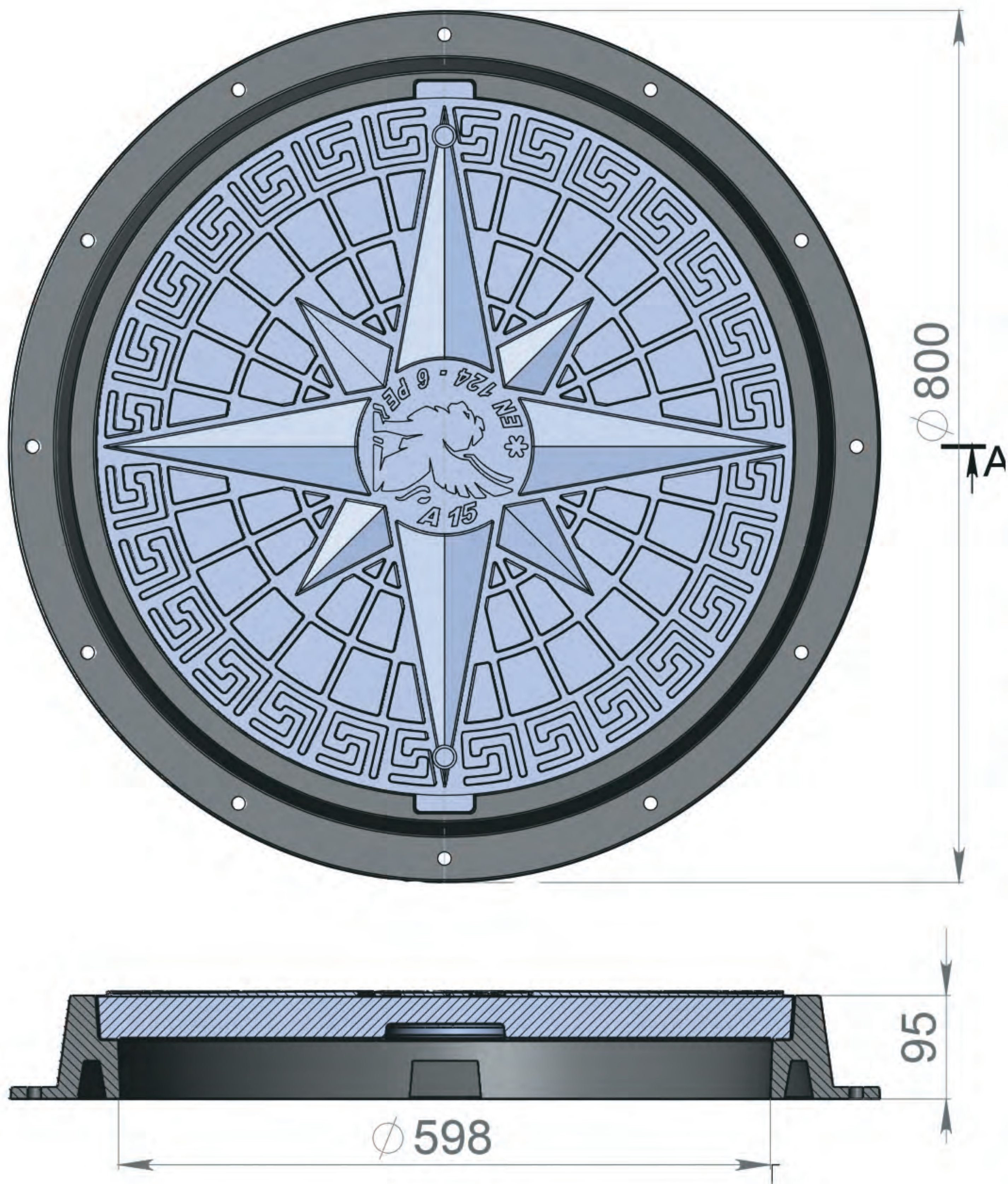
KLASA A15

Art. A15B6075C1 / Art. A15B6075Z1 / Art. A15B6075S1

APPLICATION:

- Sewage inspections on coolers, bicycle paths and green areas.
- Communication inspection wells, gas pipeline networks, sewage filtration systems, irrigation systems, absorbent wells, concrete septic tanks.





SPECIFICATIONS:

- Meets the requirements of the standard PN-EN 124-6
- Class: A15
- Opening diameter: Ø 600 mm
- Total diameter: Ø 800 mm
- Total height: H 95 mm
- Load: 5 Tn
- Lid securing system: 2 bolts
- Weight: 16 kg.
- Material: PE plastic

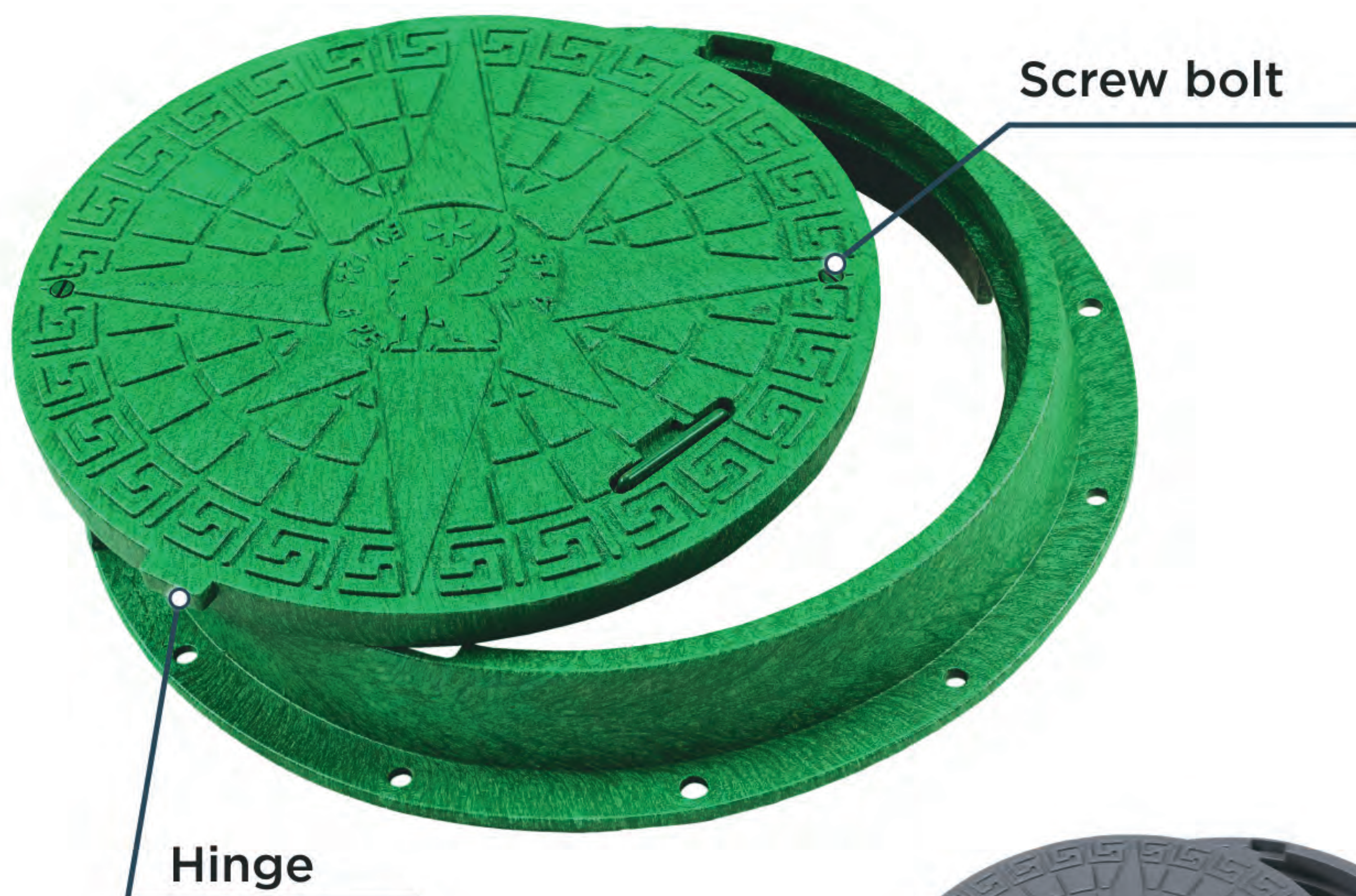


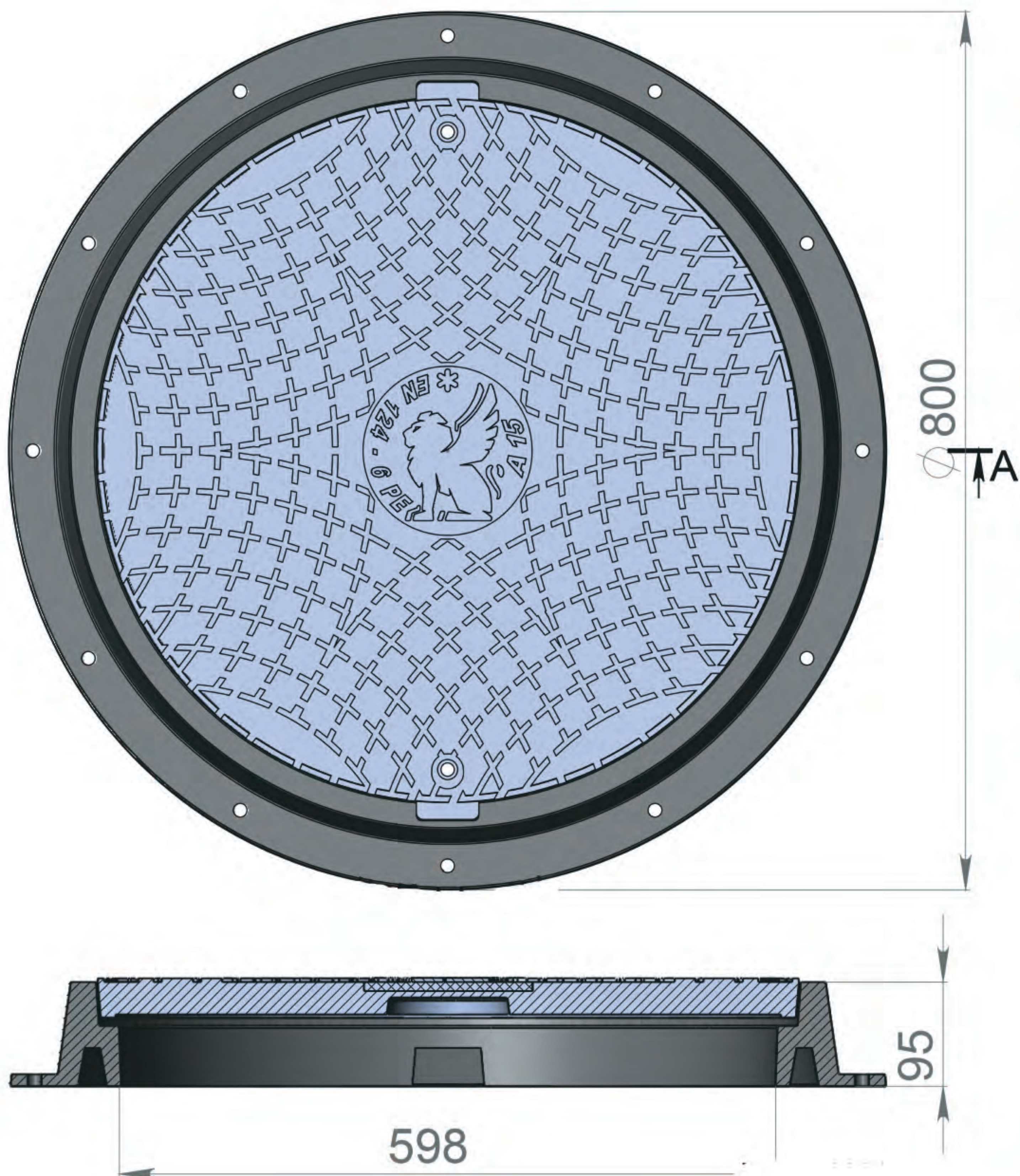
KLASA A15

Art. A15B6075C1 / Art. A15B6075Z1 / Art. A15B6075S1

APPLICATION:

- Sewage inspections on coolers, bicycle paths and green areas.
- Communication inspection wells, gas pipeline networks, sewage filtration systems, irrigation systems, absorbent wells, concrete septic tanks.





SPECIFICATIONS:

- Meets the requirements of the standard PN-EN 124-6
- Class: A15
- Opening diameter: Ø 600 mm
- Total diameter: Ø 800 mm
- Total height: H 95 mm
- Load: 1,5 t
- Lid securing system: 2 bolts
- Weight: 12 kg.
- Material: PE plastic

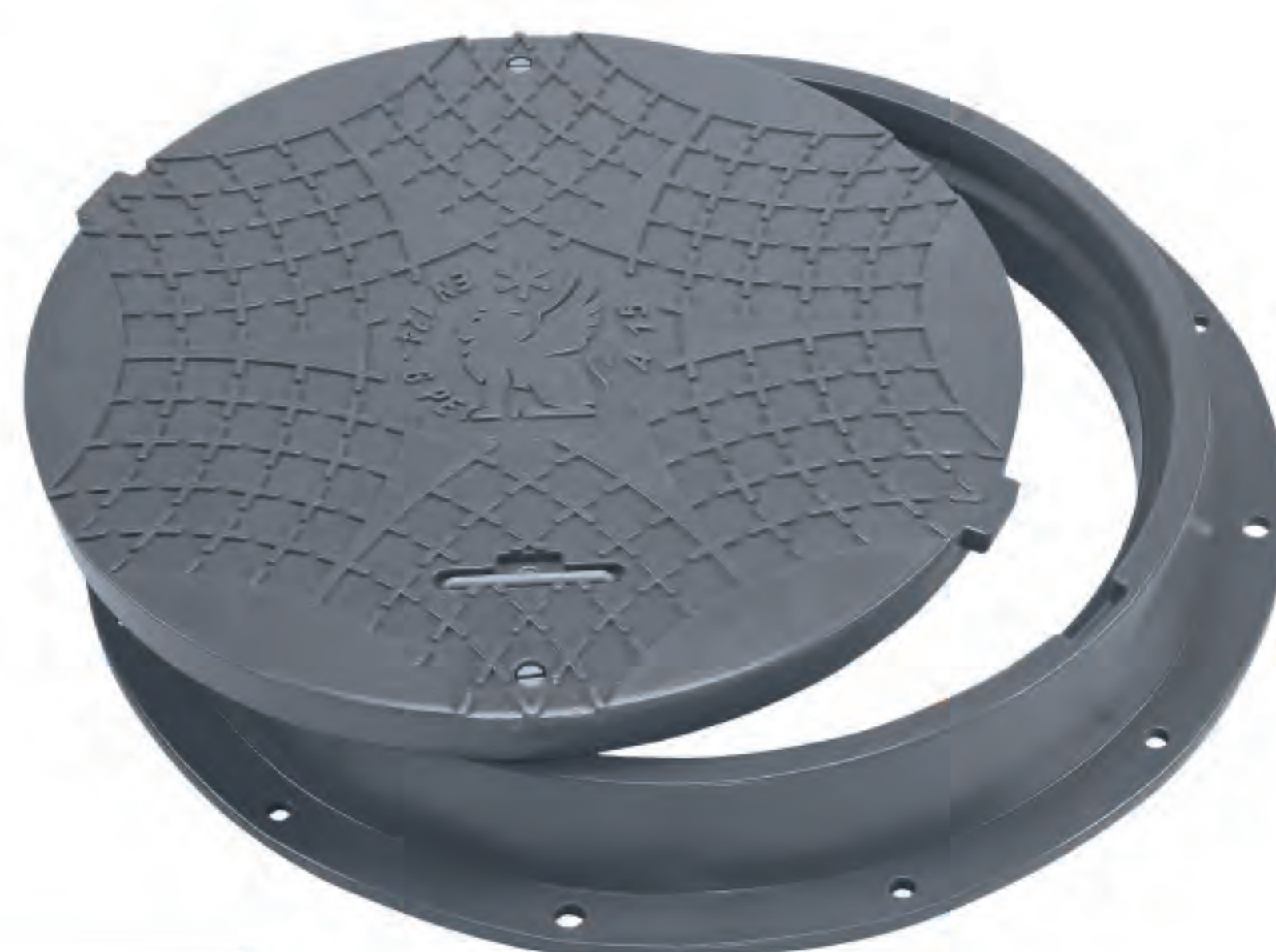
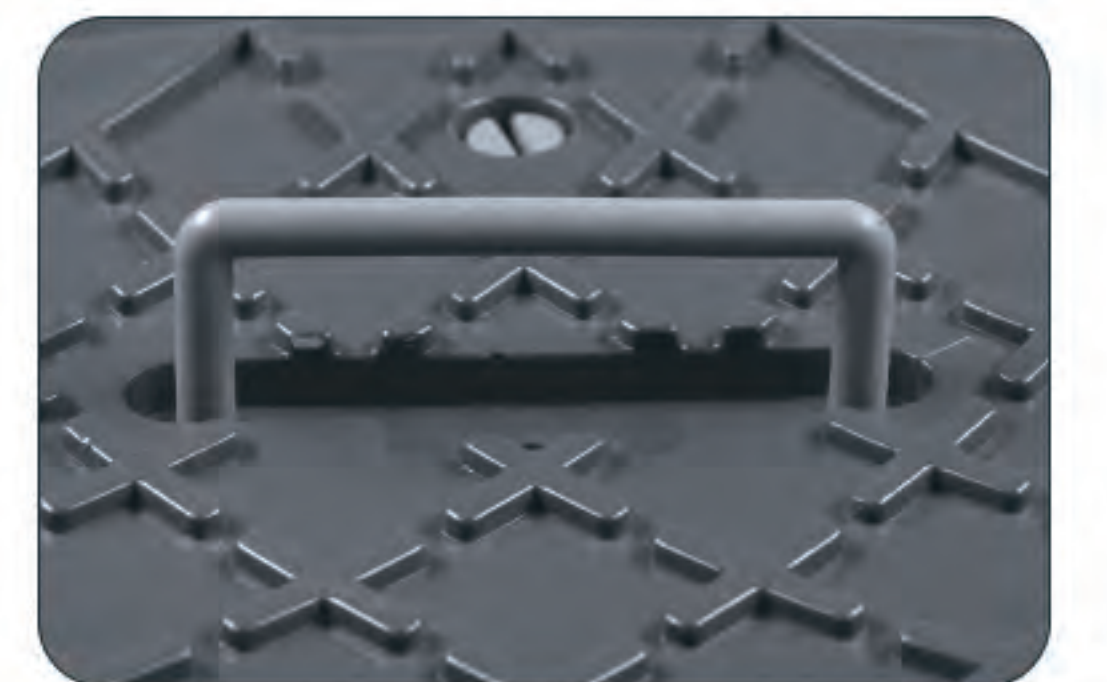
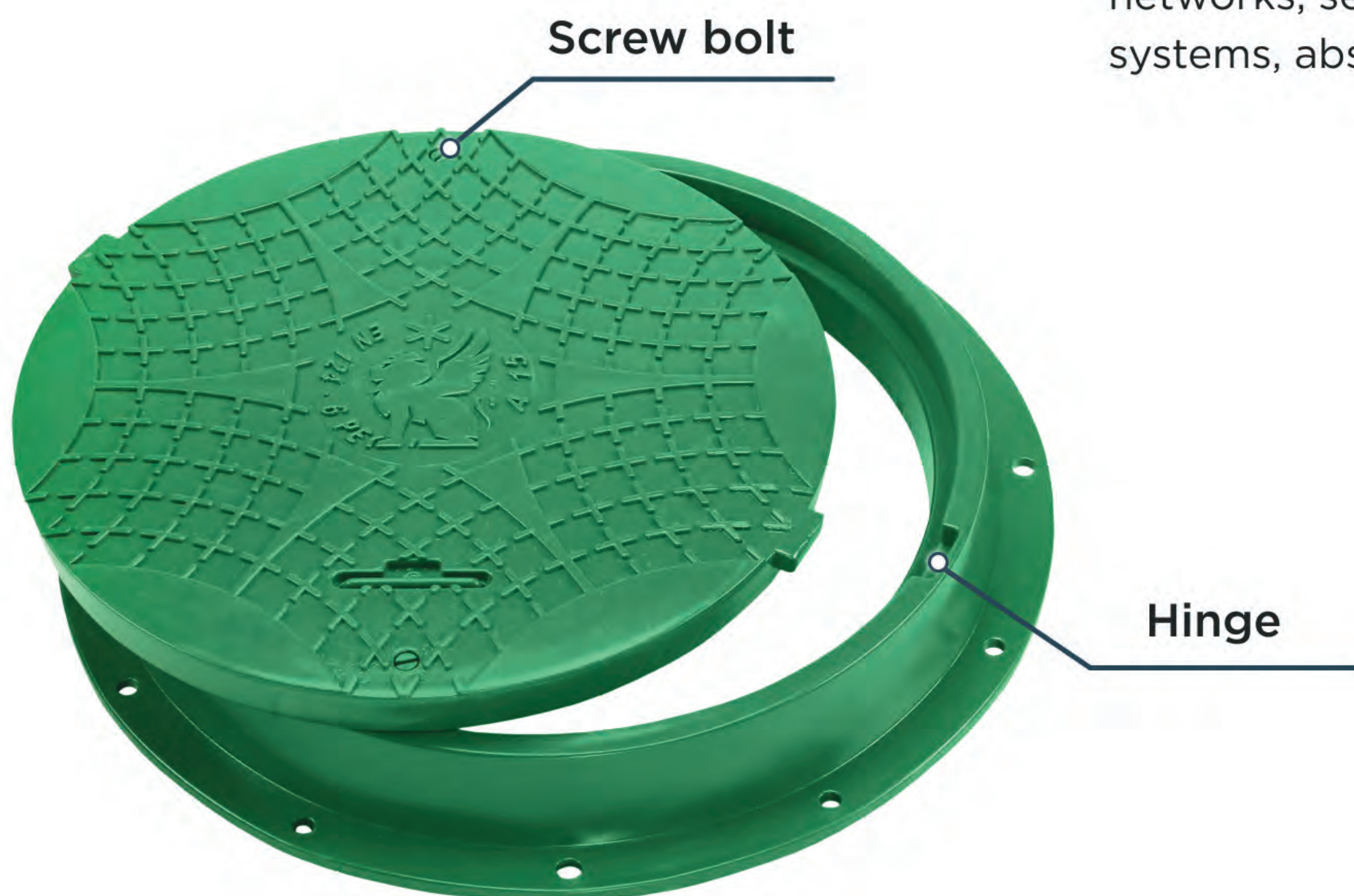


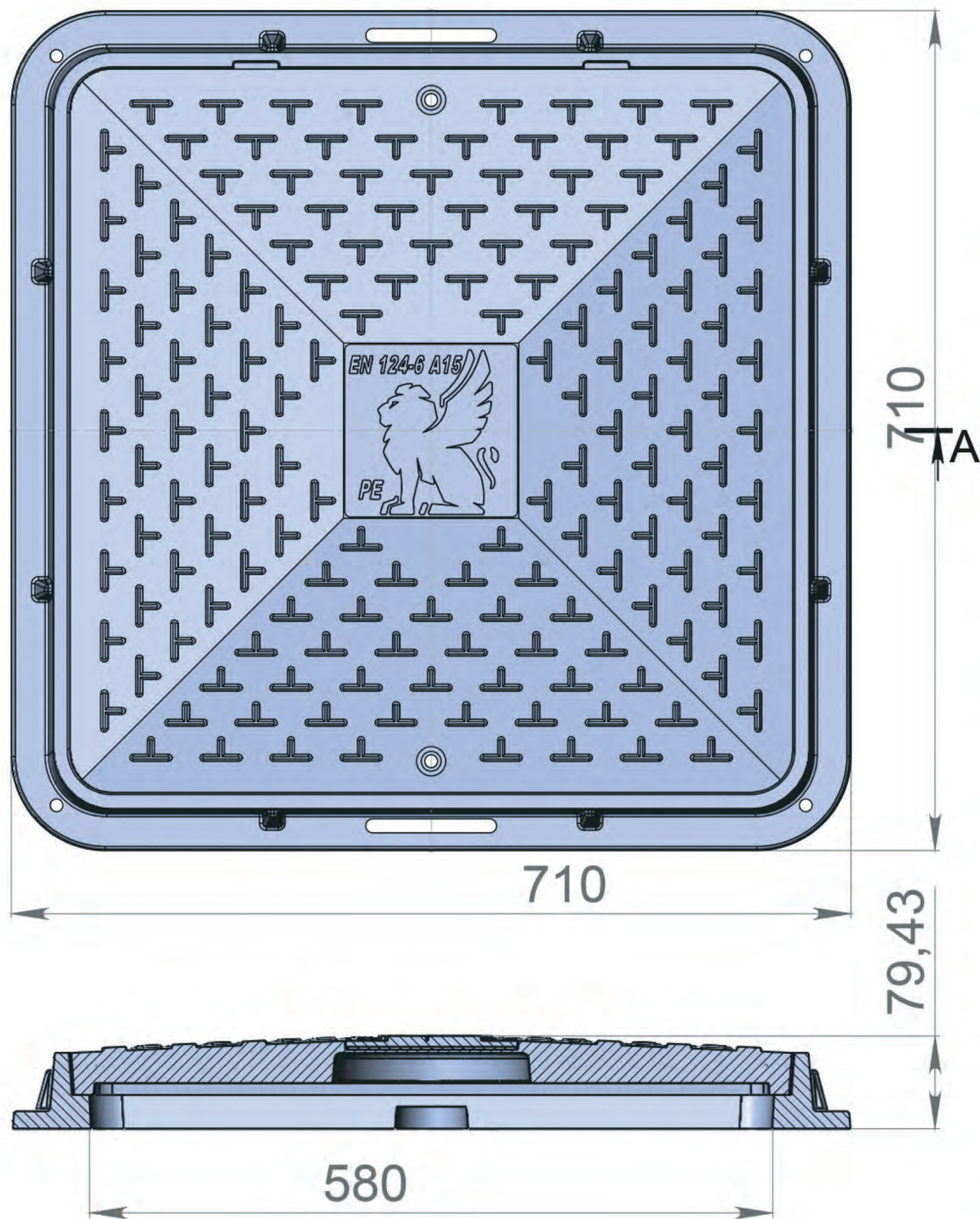
KLASA A15

Art. A15B6075C1 / Art. A15B6075Z1 / Art. A15B6075S1

APPLICATION:

- Sewage inspections on coolers, bicycle paths and green areas.
- Communication inspection wells, gas pipeline networks, sewage filtration systems, irrigation systems, absorbent wells, concrete septic tanks.





SPECIFICATIONS:

- Meets the requirements of the standard PN-EN 124-6
- Class: A15
- Opening diameter: 585 x 585 mm
- Total diameter: 710 x 710 mm
- Total height: H 80 mm
- Load: 1,5 t
- Lid securing system: 2 bolts
- Weight: 13 kg.
- Material: PE plastic

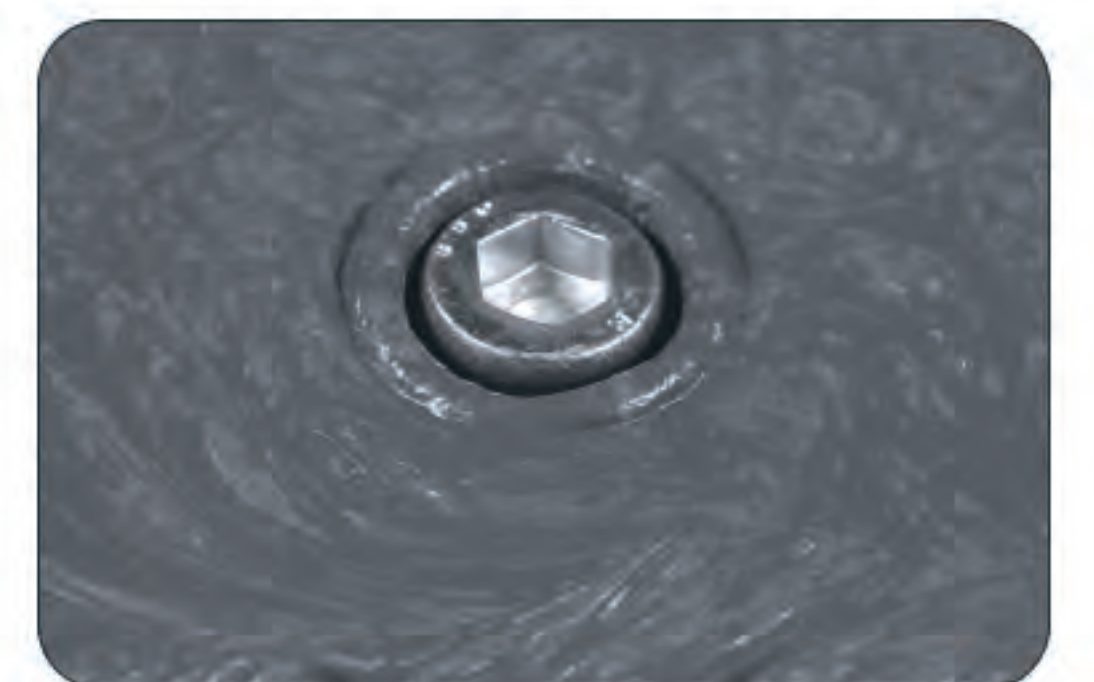
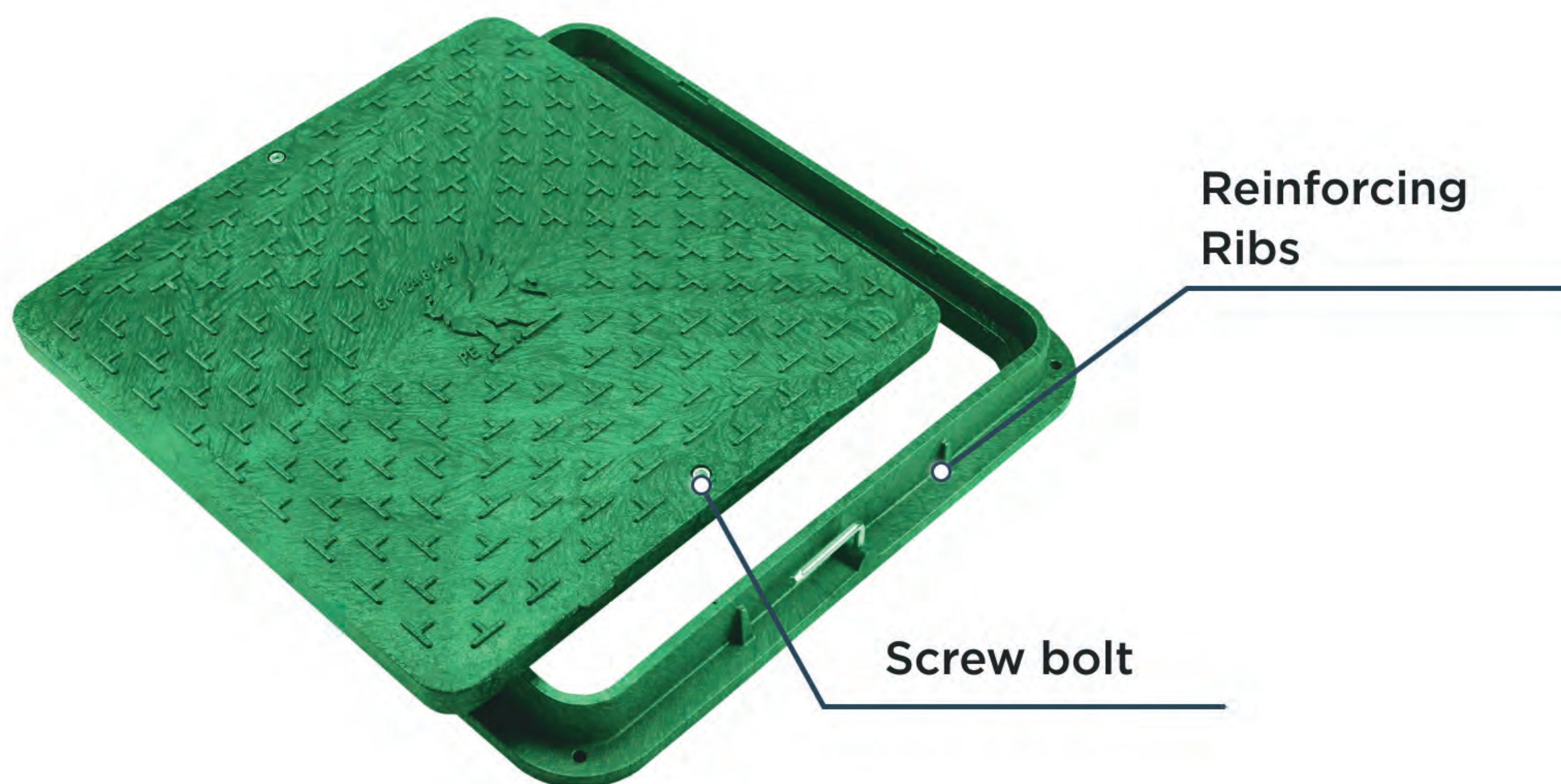


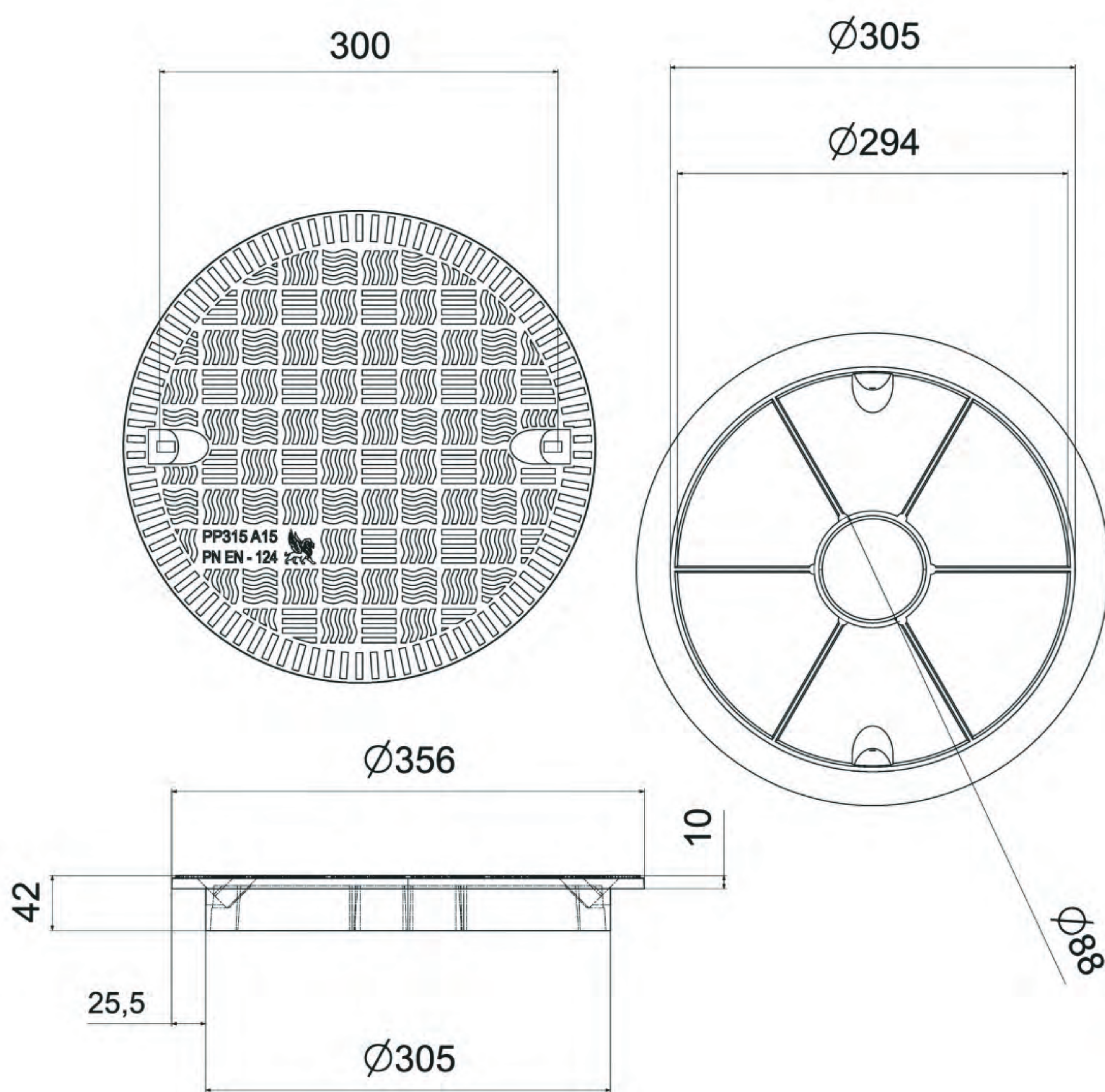
KLASA A15

Art. A15B6075C1 / Art. A15B6075Z1 / Art. A15B6075S1

APPLICATION:

- Sewage inspections on coolers, bicycle paths and green areas.
- Communication inspection wells, gas pipeline networks, sewage filtration systems, irrigation systems, absorbent wells, concrete septic tanks.





SPECIFICATIONS:

- **Outer diameter** 355 mm
- **Inner diameter:** 305 mm
- **Total height:** H 40 mm
- **Pipe size:** 315 mm corrugated
- **Loud:** 1,5 t
- **Lid securing system:** 2 screws
- **Weight:** 1 kg
- **Material:** PP plastic



KLASA A15

Art. A15B6075C1 / Art. A15B6075Z1 / Art. A15B6075S1

APPLICATION:

- Corrugated pipes. Sewage inspections on coolers, bicycle paths and green areas.
- Communication inspection chambers, gas pipeline networks, sewage filtration systems, irrigation systems, tanks.

